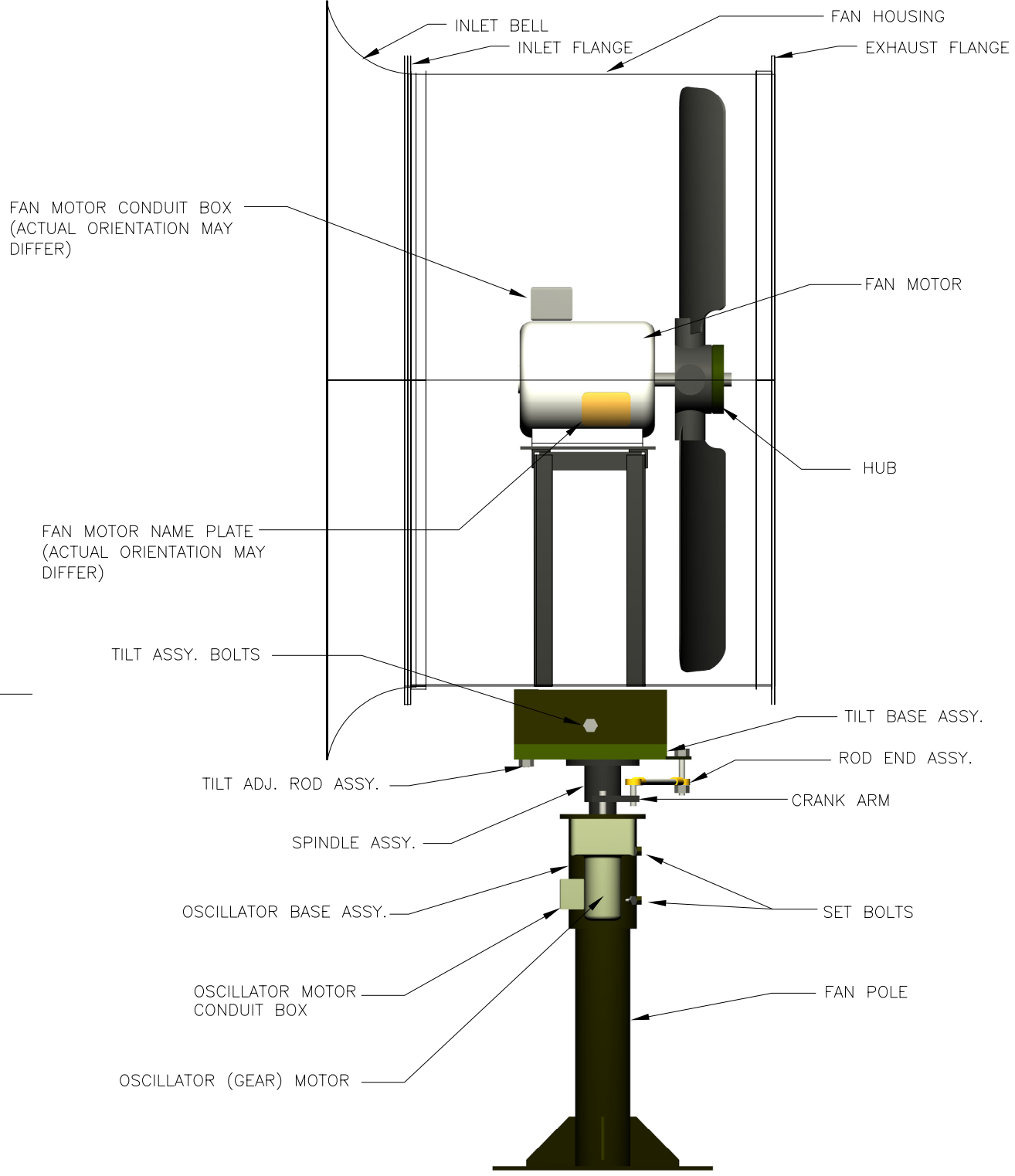


The information contained in this drawing is the sole property of SubAir Systems, LLC. Any reproduction in part or as a whole without the written permission of SubAir Systems, LLC is prohibited.



DRAWN BY: H.MURPHY	UNLESS OTHERWISE SPECIFIED MAXIMUM TOLERANCES ARE:
DATE: 5/10/07	
REVISED BY: H.MURPHY	FRACTIONAL
DATE: 6/4/07	± 1/8
PRIMARY UNITS: -----	DECIMAL
SCALE: N/A	.XX ± .01
QTY REQ: (X)	.XXX ± .005
MAT'L: -----	
FINISH: -----	



510 Bettis Academy Rd  
Graniteville, SC 29829  
(803) 641-6663

Title: T.B. FAN COMPONENT DIAG.  
36" AND SMALLER FANS  
Dwg No. ###